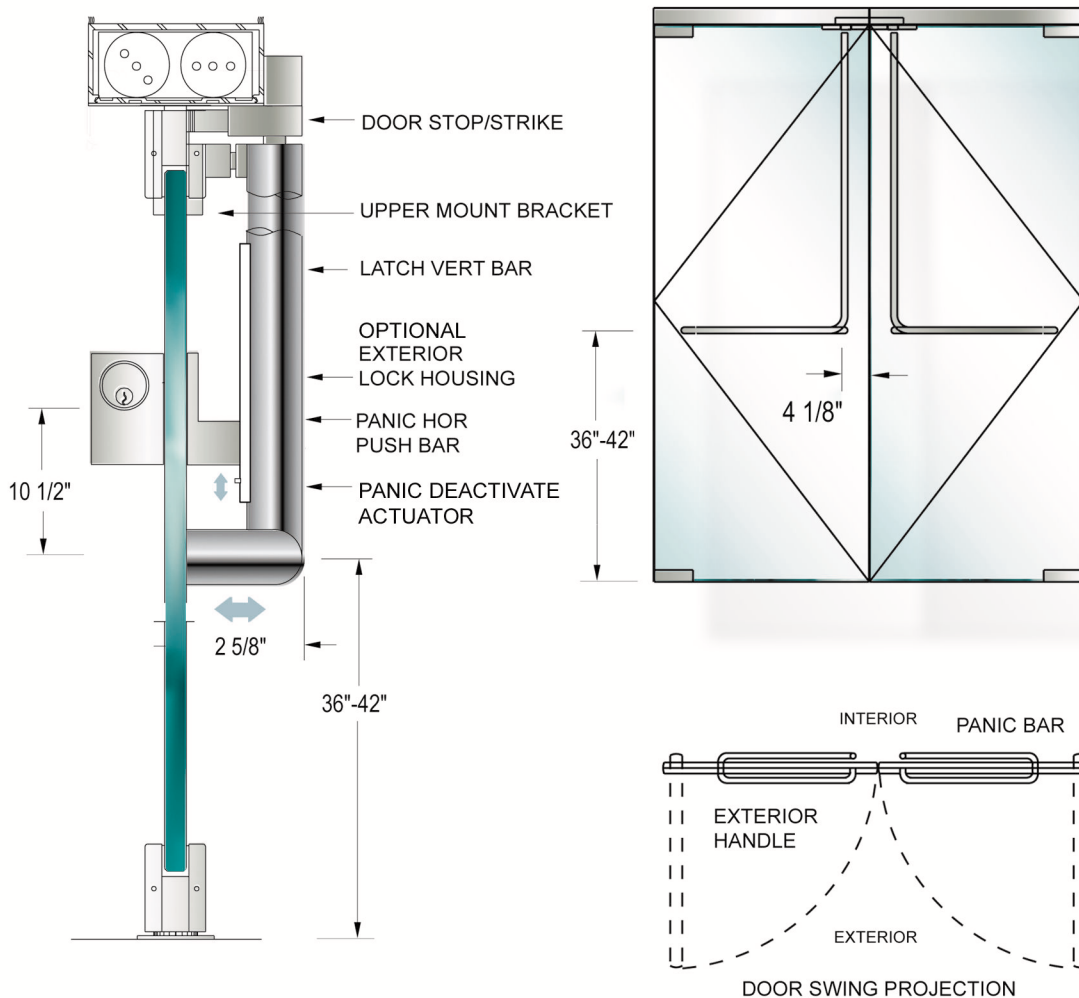


# Panic Device Configuration/Specifications

PRL Panic Devices interior push bar are available as a header or floor latch standard styles, offered with a wide range of exterior standard or custom handles for multiple combinations.

- Panic device Interior push bar  
PL100 upward Latch/PL110 downward latch
- Exterior handles  
Std Styles/Custom
- Lock Options  
Cylinder/Lock housing, mechanical/electric strikes
- Door applications  
All glass, Full frame Glass , Storefront aluminum
- Mount type hardware  
Glass/Metal
- Finish  
Stainless Steel #4 Bbrushed/ #8 Polished

## PL-100A SERIES PANIC HANDLE GLASS MOUNT SHOWN



SPECIFICATIONS	
PL-100-A	
RECOMENDED DOOR SIZES:	
GLASS THICKNESS:	1/2" 3/4"
OPENINGS	
EXTERIOR	96" 102"
INTERIOR	102" 108"
SPECIFICATIONS:	
TUBING:	1 1/4" ROUND TUBING
MOUNT (THICKNESS)	
GLASS:	1/2" OR 3/4"
RAIL/METAL	1 3/4"
FINISHES:	
STAINLESS STEEL	#4 SATIN #8 POLISHED
OTHERS (BRASS, CUSTOM) UPON REQUEST	

A Style Door with  
PL-100 Panic Device/  
A exterior handle